

## 3D PDF DATASHEET



eCATALOG solutions



BIM catalogs.net



PARTsolutions



Create Your Individual 3D PDF Datasheet



Learn How to Create Your Mechanical Product Catalog



Learn How to Create Your BIM Product Catalog



Reduce Your Costs in Engineering and Purchasing



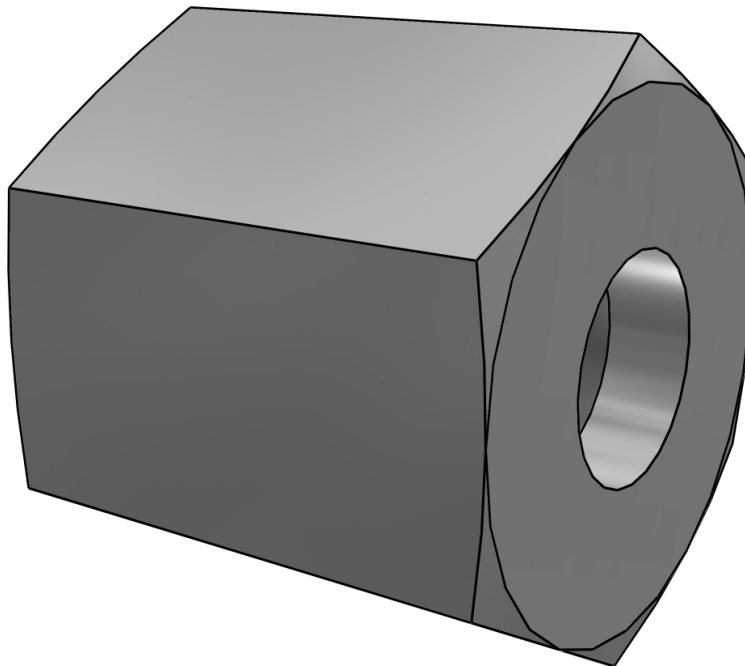
## EO Ueberwurfmutter EO 24 Anschluss M06LMSX

Nut EO 24° Cone end



### 3D View

To activate the interactive 3D view, you must trust this document (see hint on the top) in Adobe Acrobat and click on the question mark.



#### Zoom

Moves you toward or away from objects in the scene when you drag vertically. You can also zoom with the hand tool by holding down Shift as you drag.

#### Pan

Moves the model vertically and horizontally only. You can also pan with the hand tool: Ctrl-drag.

#### Rotate

Turns 3D objects around relative to the screen. How the objects move depends on the starting view, where you start dragging and the direction in which you drag.

3D PDF DATASHEET



eCATALOGsolutions



BIM catalogs.net



PARTsolutions



Create Your Individual 3D PDF Datasheet



Learn How to Create Your Mechanical Product Catalog



Learn How to Create Your BIM Product Catalog



Reduce Your Costs in Engineering and Purchasing



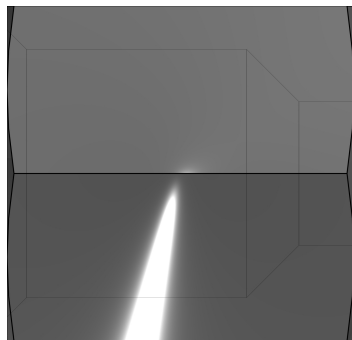
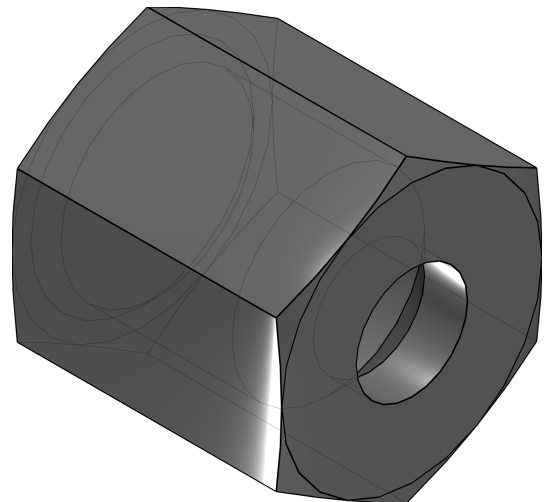
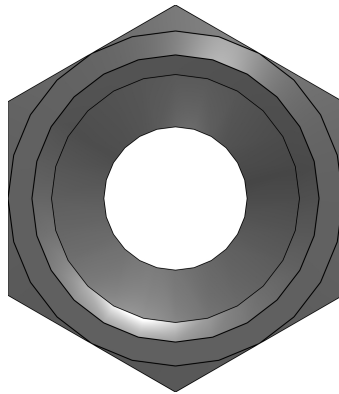
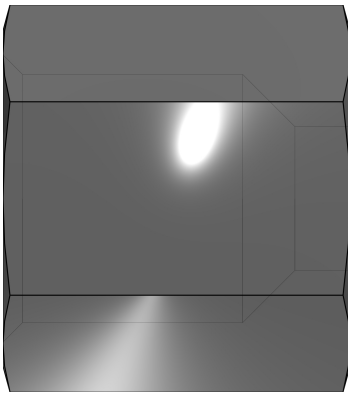
## EO Ueberwurfmutter EO 24 Anschluss M06LMSX

Nut EO 24° Cone end



2D derivation

ISO View





Create Your Individual 3D PDF Datasheet



Learn How to Create Your Mechanical Product Catalog



Learn How to Create Your BIM Product Catalog



Reduce Your Costs in Engineering and Purchasing

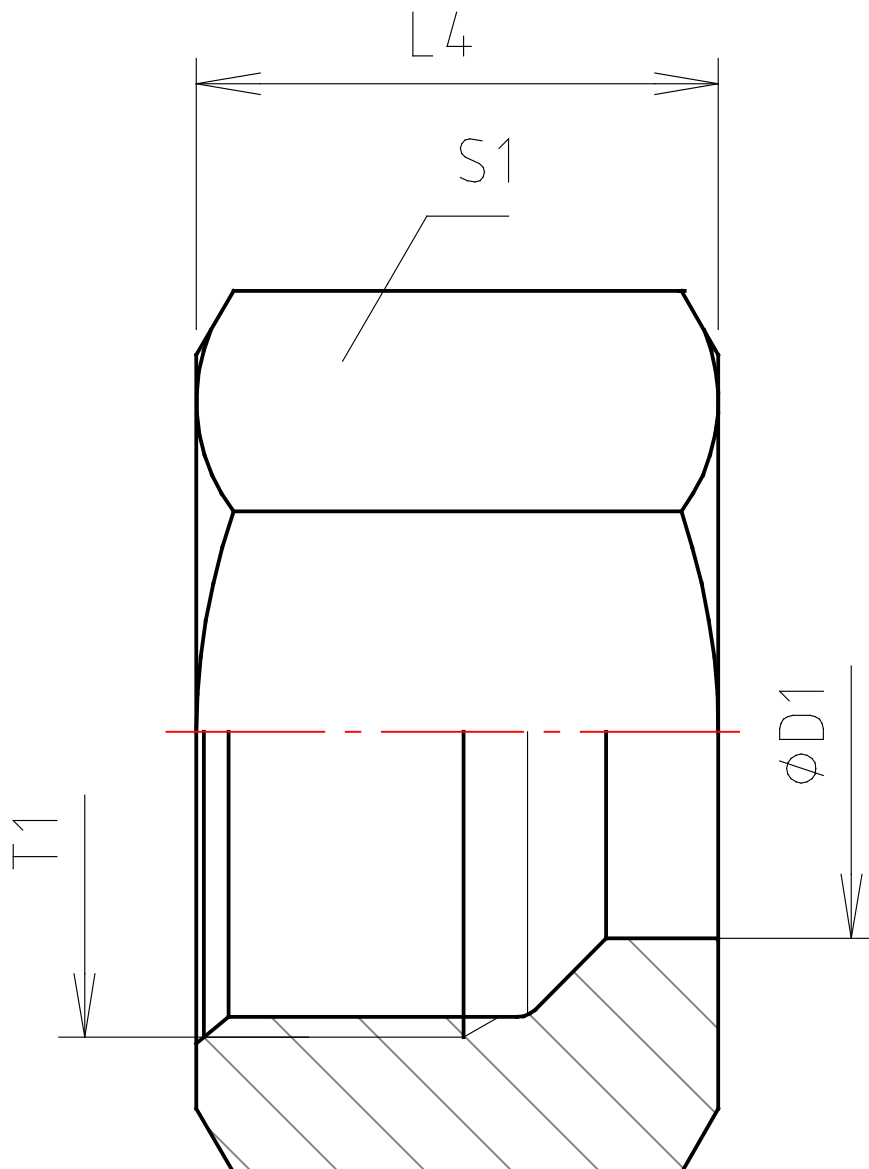


## EO Ueberwurfmutter EO 24 Anschluss M06LMSX

Nut EO 24° Cone end



### Technical drawings



## 3D PDF DATASHEET



 eCATALOG solutions




 BIM catalogs.net



 PART solutions



Create Your Individual 3D PDF Datasheet 

Learn How to Create Your Mechanical Product Catalog 

Learn How to Create Your BIM Product Catalog 

Reduce Your Costs in Engineering and Purchasing 

## EO Ueberwurfmutter EO 24 Anschluss M06LMSX

Nut EO 24° Cone end



### Technical Data

ERMETO (Order code)	M06LMSX
INFO (Add. Info)	PDF Link
WERKSTOFF (Material selection)	Brass
BAUREIHE (Series)	L
D1 (Tube O.D. / mm)	6
T1 (Thread)	M12 x 1,5
L4 (Length / mm)	14.5
S1 (Width across flats / mm)	14
WEIGHT (Weight / kg)	0.0103

## 3D PDF DATASHEET



 eCATALOG solutions




 BIM catalogs.net




 PART solutions



Create Your Individual 3D PDF Datasheet 

Learn How to Create Your Mechanical Product Catalog 

Learn How to Create Your BIM Product Catalog 

Reduce Your Costs in Engineering and Purchasing 

## EO Ueberwurfmutter EO 24 Anschluss M06LMSX

Nut EO 24° Cone end



### Bill of Materials

N°	Description	Amount
1.1	EO Ueberwurfmutter EO 24 Anschluss M06LMSX	1